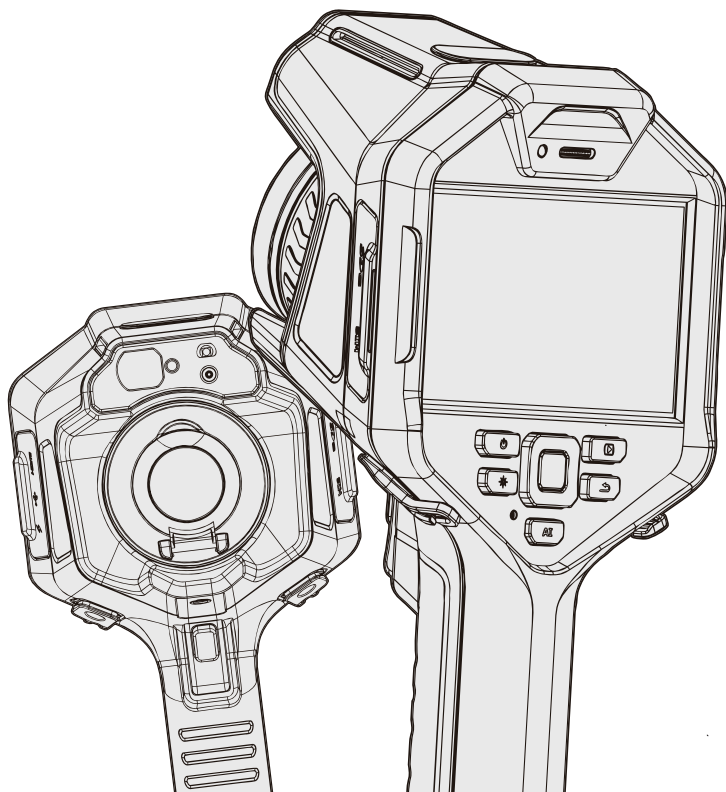




FOTRIC Advanced Thermal Camera

Quick Start Manual






FOTRIC

CONNECTING THE DIGITAL FUTURE

	
User Manual	Analysis Software

Symbols

For the symbols that appear in the documentation, the descriptions are listed below.

 Warning	 Caution	 Note
Potential death or serious injury inducing hazards.	Potential danger of injury or property damage.	Provides additional information to emphasize the main text.

Safety Information

The purpose of this section is to ensure that the user uses the product properly to avoid danger or property damage.

Before using this product, please read this instruction manual carefully and keep it in a safe place for future reference.

Warning

- Never disassemble or modify the thermal camera battery. The battery is equipped with safety and protective devices which, if tampered with, may cause the battery to overheat and may also cause an explosion or burn. If the battery is leaking and the leak gets into your eyes, do not rub it, wash it with water and get immediate medical attention.
- Thermal cameras that use a laser pointer. Do not view the laser beam directly with the human eye. The laser beam can cause eye irritation.
- If the unit is not working properly, contact your dealer or our company and do not disassemble or modify the unit in any way (unauthorized modifications or repairs cause problems at your own risk).

Caution

- Avoid using the product in humid, dusty, extremely hot or cold environments, please refer to the product's parameter table for specific temperature and humidity requirements.
- Do not touch the sensor or lens directly to avoid staining and damage from oil and various chemicals. If cleaning is necessary, moisten a clean cloth and gently wipe off any dust. Close the lens cap when the thermal camera is not in use.
- When the thermal camera is turned on, it may take approximately 5-10 minutes for the camera to warm up before taking accurate

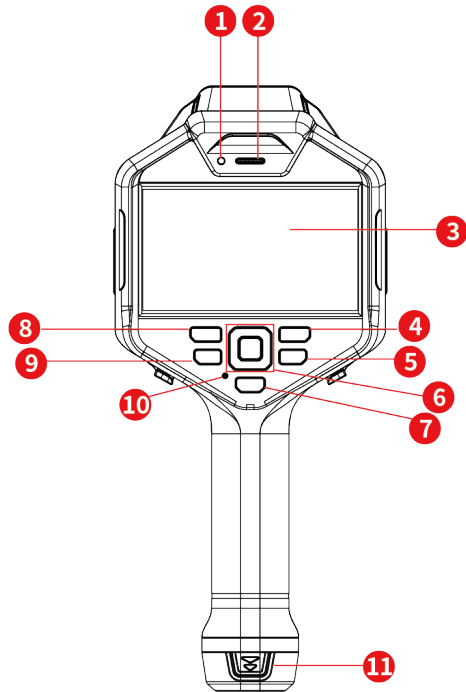
readings.

- Avoid focusing or prolonged observation on the sun or objects with extremely high temperatures, as this may result in reduced sensor life damage or temporary black spots (minor cases can be recovered after calibrating the NUC, severe cases can result in permanent irreversible damage to the detector).
- Avoid damage to the sensor caused by over-range use of the device.
- It is strongly recommended to use the original power adapter, the specific requirements of the power adapter are shown in the product data sheet.
- To prevent the potential danger of data loss, always make a copy (backup) of your data on a computer.
- When storing the thermal camera, it is strongly recommended to use the original box and to keep it in a cool, dry, ventilated environment free from strong electromagnetic fields.
- When shipping the thermal camera, it is strongly recommended that it be shipped protected in its factory packaging.

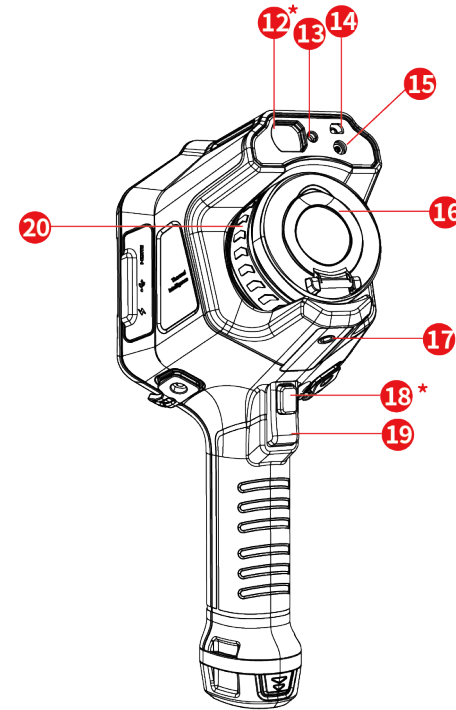
Contents

Appearance	4
Inserting and Removing the Battery.....	6
Powering.....	7
Change Lenses.....	9
Installing the Wrist Strap	10
Mounting on a tripod.....	10
Connecting to the PC Software.....	11
User Manual Link	11
Regulatory Information.....	12
Safety Instruction	16
Transportation.....	16
Accessories.....	17
Emergency	18
Laser Rules and Regulations	19
Emissivity Table.....	20
About This Manual	21

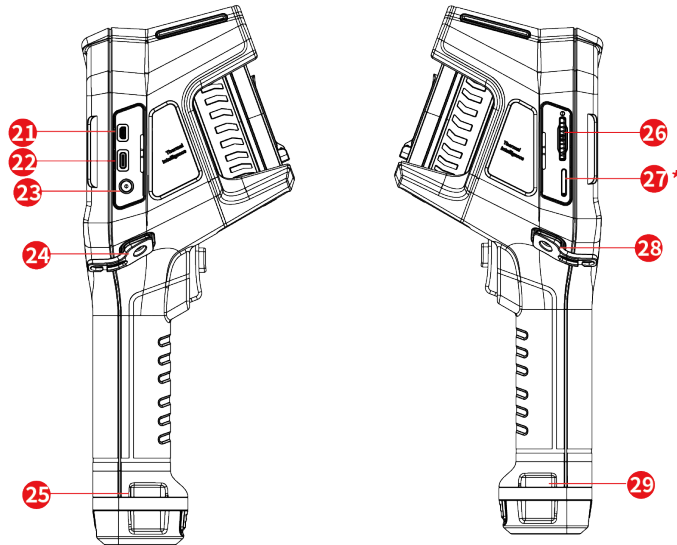
Front View



Rear View



Side View



Appearance

Note

The appearance of different models of the product may vary. Please refer to the actual product.

Parts and interfaces

	Name	Function
1	Indicator LED	<ul style="list-style-type: none"> ● Green, blinking: charging ● Green, glowing: fully charged, screen off
2	Speaker	Play voice, alarm
3	Touch Screen	<ul style="list-style-type: none"> ● Display ● Touch screen operation
4	Gallery Button	<ul style="list-style-type: none"> ● Enter gallery ● Activate NUC(Non-Uniform Calibration)
5	Back Button	Exit menu or back to the previous menu
6	Navigation Buttons	Menu mode <ul style="list-style-type: none"> ● Press ▲, ▼, ◀, ▶ to select parameters ● Press confirmation key to confirm Non-menu mode Press confirmation key to summon the menu
7	AI Programmable Button	<ul style="list-style-type: none"> ● Short press: activate custom functions ● Long press: select custom functions

8	Power Button	<ul style="list-style-type: none"> ● Short press: power on/off device ● Long press: sleep/wake screen
9	Laser Button	<ul style="list-style-type: none"> ● Press to activate laser ● Release to deactivate laser
10	Microphone	Input voice information
11	Battery	Lithium battery, for power supply
12*	Laser Ranger(optional)	For laser ranging
13	Laser Emitter	For laser indications
14	LED Flash Light	<ul style="list-style-type: none"> ● Flash light : serve as a flash light when taking photos ● For illumination in dark environment
15	Digital Camera	Digital visible-light camera
16	Infrared Lens	For infrared imaging
17	Tripod Connection Interface	For mounting on a tripod
18*	Autofocus Button(optional)	Press to conduct autofocus
19	Freeze and Capture Button	Freeze and capture images/videos
20	Focus Ring	Rotate to adjust the clarity of images
21	Micro HDMI Interface	High resolution streaming interface, compatible to projecting to a HDMI screen
22	USB Type-C Interface	For connecting to a USB Type-C cable
23	Power Supply Interface	For connecting to DC power adaptor
24 & 25	Wrist Strap Bracket	For fixing the wrist strap(right)
26	SD Storage Card Interface	For inserting the SD card
27*	Nano SIM Port (optional)	For inserting Nano SIM card
28 & 29	Wrist Strap Bracket	For fixing the wrist strap(left)

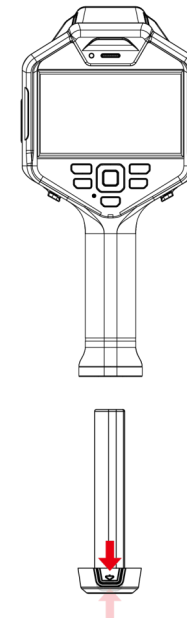
Inserting and Removing the Battery

2.1 Inserting the battery

Push the battery into the battery socket. When the battery is fully inserted, it will make a distinct 'click'.

2.2 Removing the battery

Turn off the device, squeeze the snatch of the battery and take it out.



Powering

When using the thermal imager for the first time or when the power is low, please charge the thermal imager.

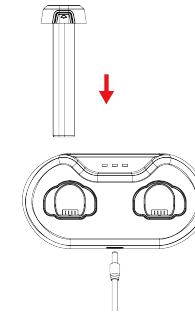
3.1 Charging through the charging dock

For quick charging take out the battery and mount it on the charging dock.

The voltage of the charging dock is 12VDC, please use the USB-C cable and the adaptor that came with the device.

Operation Procedures

1. Mount the battery(s) to the charging dock.
2. Connect the charging dock to the power source. If the dock is functioning normally, the middle LED indicators will glow green.
3. The LED indicators on the side indicate the charging status of the battery:
 - Red: charging
 - Green: charged
4. When fully charged, take out the battery and disconnect the dock from the power source.

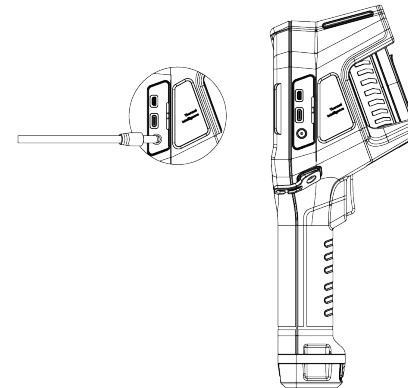


3.2 Charging directly with DC 12V

For expedient charging, directly charge the thermal imager through a DC 12V power adapter.

Operation Procedures

1. Insert the battery.
2. Lift the cover for USB-C interface.
3. Connect to a power source and start charging.



Change Lenses

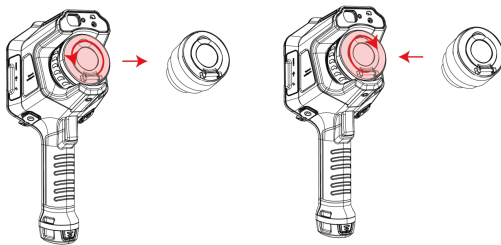
Operation Procedures:

1. Rotate counterclockwise to unmount the lens.
2. Carefully take off the lens.
3. Align the red dot mark on the lens and the lens slot.
4. Gently push the lens in until it's firmly mounted.
5. Rotate clockwise until hearing a distinct 'click'.

Caution

If you have purchased a new lens, please contact your dealer or the nearest service center to calibrate the new lens. This ensures optimal performance and compatibility between the lens and the device.

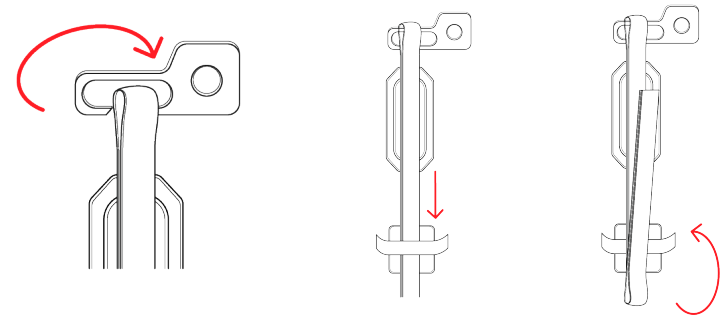
Before turning on the camera, make sure the lens is in place and locked securely. If it is not in place, the camera will not be able to recognize the lens when it is turned on.



Installing the Wrist Strap

Inserting the strap through the Wrist Strap Bracket and make adjustments

(Refer to the item 24 & 25, 27 & 28 of Parts and interfaces table)



Mounting on a tripod

If the user need to make prolonged observation or measurements, we advise mounting the camera on a tripod.

The device support connecting to a tripod via a UNC 1/4-20 interface. (17th item in the Parts and interfaces table)

Connecting to the PC Software

Scan the following QR codes to download the PC and Mobile software.



User Manual Link

For More Detailed Operation, Please Refer to the User Manual.



Regulatory Information

These clauses apply only to the products bearing the corresponding mark or information.

Federal Communications Commission (FCC) Declaration of Conformity

This device complies with Part 15 of the FCC. Operation is subject to the following two conditions: (1) this device may not cause harmful interference, and (2) this device must accept any interference received, including interference that may cause undesired operation.

Note: Due to the device size limit, the above statement may not be disclaimed on the device.

FCC Caution: Any changes or modifications not expressly approved by the party responsible for compliance could void the user's authority to operate this equipment.

This equipment has been tested and found to comply with the limits for a Class A digital device, pursuant to part 15 of the FCC Rules. These limits are designed to provide reasonable protection against harmful interference when the equipment is operated in a commercial environment. This equipment generates, uses, and can radiate radio frequency energy and, if not installed and used in accordance with the instruction manual, may cause harmful interference to radio communications. Operation of this equipment in a residential area is likely to cause harmful interference in which case the user will be required to correct the interference at his own expense.

Exposure to Radio Frequency (RF) Energy

This equipment complies with FCC radiation exposure limits set forth for an uncontrolled environment. And user must follow the specific operating instructions for satisfying RF exposure compliance. This transmitter must not be co-located or operating in conjunction with any other antenna or transmitter.

The mobile device is designed to meet the requirements for exposure to radio waves established by the Federal Communications Commission (USA). These requirements set a SAR limit of 1.6 W/kg averaged over one gram of tissue.

EU Compliance Statement



This product and - if applicable - the supplied accessories too are marked with "CE" and comply therefore with the applicable harmonized European standards listed under the Directive 2014/53/EU (RED), Directive 2014/30/EU (EMCD), Directive 2014/35/EU (LVD), Directive 2011/65/EU (RoHS).



Directive 2012/19/EU (WEEE Directive): Products marked with this symbol cannot be disposed of as unsorted municipal waste in the European Union. For proper recycling, return this product to your local supplier upon the purchase of equivalent new equipment, or dispose of

it at designated collection points.



REGULATION (EU) 2023/1542:

This product contains a battery that cannot be disposed of as unsorted municipal waste in the European Union. See the product documentation for specific battery information. For proper recycling, return the battery to your supplier or to a designated collection point.

Restrictions in the 5 GHz band

According to Article 10 (10) of Directive 2014/53/EU, the packaging shows that this radio equipment will be subject to some restrictions when placed on the market in Belgium (BE), Bulgaria (BG), the Czech Republic (CZ), Denmark (DK), Germany (DE), Estonia (EE), Ireland (IE), Greece (EL), Spain (ES), France (FR), Croatia (HR), Italy (IT), Cyprus (CY), Latvia (LV), Lithuania (LT), Luxembourg (LU), Hungary (HU), Malta (MT), Netherlands (NL), Austria (AT), Poland (PL), Portugal (PT), Romania (RO), Slovenia (SI), Slovakia (SK), Finland (FI), Sweden (SE), the United Kingdom (UK), Turkey (TR), Norway (NO), Switzerland (CH), Iceland (IS), and Liechtenstein (LI).

The WLAN function for this device is restricted to indoor use only when operating in the 5150 to 5350 MHz frequency range.



BE	BG	CZ	DK	DE
EE	IE	EL	ES	FR
HR	IT	CY	LV	LT
LU	HU	MT	NL	AT
PL	PT	RO	SI	SK
FI	SE	UK	TR	NO
CH	IS	LI		

Frequency Bands and Power

Device operates within approved frequencies overlapping with the following cellular bands:

Type	Frequency Range	Maximum emission
BLE	2.402-2.48 GHz	8 dBm
BT	2.402-2.48 GHz	-1 dBm
2.4G WIFI	2.412-2.472 GHz	21 dBm
5G WIFI	5.15-5.25 GHz	8 dBm
5G WIFI	5.25-5.35 GHz	6 dBm
5G WIFI	5.47-5.725 GHz	9 dBm
5G SRD	5.725-5.825 GHz	8 dBm
GNSS	GPS: 1575.42MHz±1.023MHz	
	GLONASS : 1597.5MHz~1605.8MHz	
	BeiDou: 1561.098MHz±2.046MHz	

Safety Instruction

Please read all the safety information carefully before using. These instructions are intended to ensure that user can use the product correctly to avoid danger or property loss.

Laws and Regulations

Use of the product must be in strict compliance with the local electrical safety regulations.

Transportation

Keep the device in original or similar packaging while transporting it.

Keep all wrappers after unpacking them for future use. In case of any failure occurred, you need to return the device to the factory with the original wrapper.

Transportation without the original wrapper may result in damage on the device and the company shall not take any responsibilities.

Do not drop the product or subject it to physical shock. Keep the device away from magnetic interference.

Accessories

only accessories which meet the manufacturer's specifications shall be used.

Power Supply

The input voltage should meet the limited energy circuit (12VDC, 3A), according to the IEC61010-1 standard. Please refer to technical specifications for detailed information.

DO NOT connect multiple devices to one power adapter, to avoid overheating or fire hazards caused by overload.

Refer to the product specification for detailed power requirements.

Battery Charging Dock

Do not charge other battery types with the supplied charger. Confirm there is no flammable material within 2 m of the charger during charging.

Battery

Improper use or replacement of the battery may result in explosion hazard. Replace with the same or equivalent type only. Dispose of used batteries in conformance with the instructions provided by the battery manufacturer.

For long-term storage of the battery, make sure it is fully charged every half year to ensure the battery quality. Otherwise, damage may occur.

DO NOT place the battery near heating or fire source. Avoid direct sunlight.

DO NOT swallow the battery to avoid chemical burns.

DO NOT place the battery in the reach of children.

CAUTION: Risk of explosion if the battery is replaced by an incorrect type.

Do not dispose of the battery into fire or a hot oven, or mechanically crush or cut the battery, which may result in an explosion.

Do not subject the battery to extremely low air pressure, which may result in an explosion or the leakage of flammable liquid or gas.

When the device is powered off and the RTC battery is full, the time settings can be kept for 2 months.

In the first use, power on the device and charge the RTC battery with the lithium battery for more than 8 hours.

Emergency

If smoke, odor, or noise arises from the device, immediately turnoff the power, unplug the power cable, and contact the service center.

Laser Rules and Regulations

Warning

The laser radiation emitted from the device can cause eye injuries, burning of skin or inflammable substances. Prevent eyes from direct laser. Before enabling the Light Supplement function, make sure no human or inflammable substances are in front of the laser lens.

Caution

Use of controls or adjustments or performance of procedures other than those specified herein may result in hazardous radiation exposure.

Maintenance

- Temperature measuring equipment is recommended for temperature calibration measurement once every one to two years.
- Pay attention to keep the lens clean, use a soft non-woven cloth to gently wipe and brush away dust, or use an oil-free cotton cloth dipped in 96% concentration of ethanol, wring it out and wipe it gently, avoid wiping it hard to cause permanent damage to the lens.
- Please ensure that the battery is fully charged when storing for a long time.

Emissivity Table

(for reference only)

Material Name	Surface Condition	Temperature (°C)	Emissivity (ϵ)
Aluminum	Non-oxidized	100	0.20
	Oxidized	100	0.55
Brass	Polished brown	20	0.40
	Unpolished	38	0.22
	Oxidized	100	0.61
Copper	Severely oxidized	20	0.78
Iron	Oxidized	100	0.74
	Rusty	25	0.65
Cast iron	Oxidized	200	0.64
	Non-oxidized	100	0.21
Wrought iron	Roughened	25	0.94
	Polished	38	0.28
Nickel	Oxidized	200	0.37
Stainless steel	Oxidized	60	0.85
Steel	Oxidized at 800°C	200	0.79
Common brick	Surface	20	0.93
Concrete	Surface	20	0.92
Glass	Polished plate	20	0.94
Lacquer	White	100	0.92
	Natural color black	100	0.97
Carbon	Smoke black	25	0.95
	Candle soot	20	0.95
	Graphite rough surface	20	0.98
Paint	Average of 16 colors	100	0.94
Paper	White	20	0.93
Sand	Surface	20	0.90
Wood	Polished	20	0.90
Water	Distilled water	20	0.96
Skin	Human	32	0.98
Pottery	Fine	21	0.90
	Abrasive	21	0.93

About This Manual

This manual is used as a guide and the photos, graphics, icons and illustrations provided in the manual are for explanation and illustration purposes only and may differ from the specific product, please refer to the actual product. This manual may be updated by FOTRIC without notice due to product version upgrade or other needs.

The trademarks and images used in this manual are for illustrative purposes only and are the copyright of the trademark owner.

Disclaimers

The products (hardware, software, etc.) provided in this manual may be defective, faulty or malfunctioning, and fotric disclaims all warranties of any kind, express or implied, including, but not limited to, warranties of merchantability, satisfactory quality, fitness for a particular purpose, non-infringement of third party rights, etc. fotric will not be liable for any special, incidental, consequential or indirect damages arising out of the use of this manual or our products. including, but not limited to, damages arising from loss of business profits, loss of data or documentation.

To the maximum extent permitted by law, our liability will not exceed the amount you paid for the product.

After the product is connected to the Internet, it may be exposed to risks including but not limited to network attacks, hacker attacks, virus infections, etc. The Company will not be responsible for any abnormal operation of the product, information leakage, etc. as a result, but will

provide you with technical support in a timely manner.

Products can sense motion detection and fire events when properly installed and configured, but cannot prevent accidents or resulting personal injury or property damage.

Thermal imaging products are classified as export controlled by the U.S. Department of Commerce, Export Control Classification Number (ECCN) 6A003.b.4.b. This product contains a focal plane array, Export Control Classification Number 61002.a.3.f. This product may not be used in controlled countries (e.g. North Korea, Iran, Syria, Cuba, Sudan, etc.) and should not be brought into or used in controlled countries. Any loss or liability arising from the above actions will be borne by you.

When using this product, you are requested to strictly follow the applicable laws. You agree that this product is for civilian use only and shall not be used in violation of third party rights, medical/safety equipment or other applications where the failure of the product could result in life-threatening or personal injury, and for purposes such as mass destruction fog, biochemical weapons, nuclear explosions or any unsafe use of nuclear energy or dangerous or inhumane uses. Any loss or liability arising from such use will be borne by you.

In the event of a conflict between the above and applicable law, the provisions of the law shall prevail.



Warranty Card

Thank you for choosing FOTRIC thermal camera!

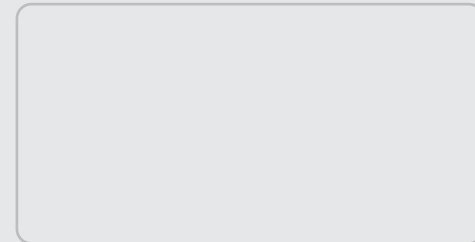
We are committed to providing you with products of excellent performance and reliable quality. According to our warranty policy, this product enjoys comprehensive warranty service from the date of purchase.

During normal use, if any defects caused by materials or craftsmanship are found in the device, we will provide you with repair or replacement services to ensure your workflow.

Customer Service

Global: service@fotric.com

United States: service-us@fotric.com



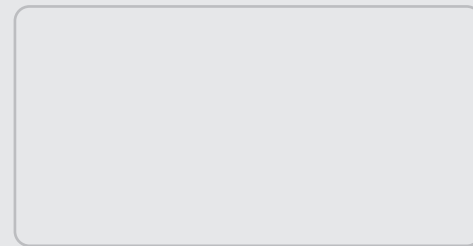
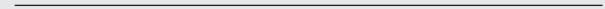


Certificate of QC

Thank you for choosing FOTRIC thermal camera!

This product has passed strict quality inspection and complies with relevant technical standards and specifications to ensure reliable performance and excellent user experience.

We promise that the device you receive is a qualified product and can be used with confidence. If you need further support, please contact FOTRIC customer service team.



Innovation Excellence Integrity

Company Disclaimer

Equipment described herein may require EU, US and UNSC authorization for export purposes.

Imagery for illustration purposes only.

Specifications are subject to change without notice.

FOTRIC INC. © 2025 All Rights reserved.

FOTRIC INC.