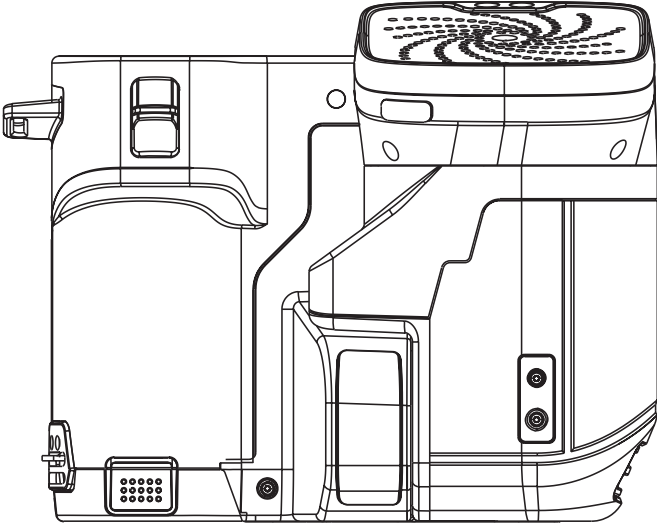


# FOTRIC Handheld Acoustic Camera

## Quick Start Manual






**FOTRIC**

CONNECTING THE DIGITAL FUTURE

## Preface

User Manual	Analysis Software
	 <small>AnalyzIR Venus</small>

### Symbols

 <b>Warning</b>	 <b>Caution</b>	 <b>Note</b>
Potential death or serious injury inducing hazards.	Potential danger of injury or property damage.	Provides additional information to emphasize the main text.

### Safety Information

The purpose of this section is to ensure that the user uses the product properly to avoid danger or property damage.

Before using this product, please read this instruction manual carefully and keep it in a safe place for future reference.

#### **Warning**

- Never disassemble or modify the acoustic camera battery. The battery is equipped with safety and protective devices which, if tampered with, may cause the battery to overheat and may also cause an explosion or burn. If the battery is leaking and the

leak gets into your eyes, do not rub it, wash it with water and get immediate medical attention.

- If the unit is not working properly, contact your dealer or our company and do not disassemble or modify the unit in any way (unauthorized modifications or repairs cause problems at your own risk).

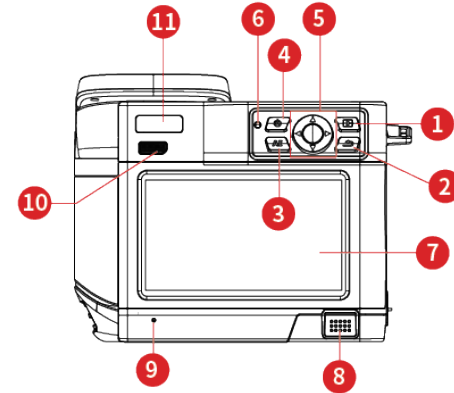
#### **Caution**

- Protect the acoustic sensor array from stains, dust and liquids, otherwise it will affect the performance of the acoustic camera or even cause permanent damage.
- Avoid using the product in humid, dusty, extremely hot or cold environments, please refer to the product's parameter table for specific temperature and humidity requirements.
- It is strongly recommended to use the original power adapter, the specific requirements of the power adapter are shown in the product data sheet.
- To prevent the potential danger of data loss, always make a copy (backup) of your data on a computer.
- When storing the acoustic camera, it is strongly recommended to use the original box and to keep it in a cool, dry, ventilated environment free from strong electromagnetic fields.
- When shipping the acoustic camera, it is strongly recommended that it be shipped protected in its factory packaging.

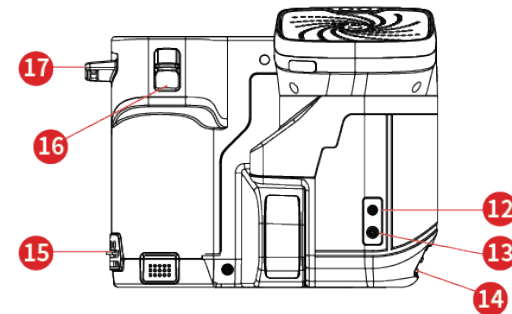
# Contents

- Appearance ..... 3
- Inserting and Removing the Battery..... 6
- Powering..... 6
- Adjusting the Module Angle ..... 8
- Installing the Wrist Strap ..... 8
- Installing the Neck Strap ..... 9
- Mounting on a Tripod ..... 9
- Connecting to the PC Software ..... 10
- User Manual Link ..... 10
- About This Manual ..... 11
- Warranty Card ..... 13
- Certificate of Quality ..... 14

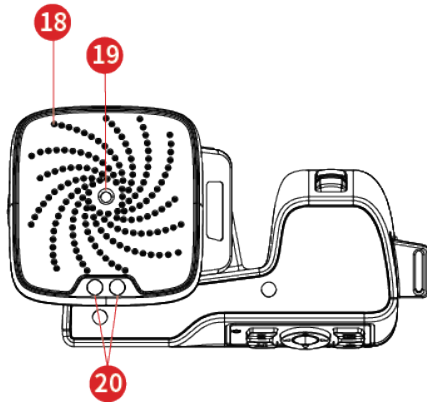
## Front View



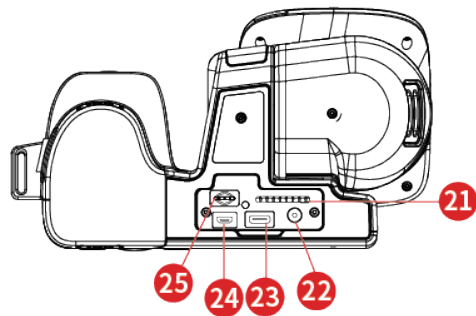
## Rear View



Top View



Bottom View



## Appearance

 Note

The appearance of different models of the product may vary. Please refer to the actual product.

**Parts and Interfaces**

	Name	Function
1	Gallery Button	Enter gallery
2	Back Button	Exit menu or back to the previous menu
3	AI Programmable Button	<ul style="list-style-type: none"> <li>●Short press: activate custom functions</li> <li>●Long press: select custom functions</li> </ul>
4	Power Button	<ul style="list-style-type: none"> <li>●Short press: power on/off device</li> <li>●Long press: sleep/wake screen</li> </ul>
5	Navigation Buttons	Menu mode <ul style="list-style-type: none"> <li>●Press ▲, ▼, ◀, ▶ to select parameters</li> <li>●Press confirmation key to confirm</li> </ul>
		Non-menu mode <ul style="list-style-type: none"> <li>●Press confirmation key to summon the menu</li> </ul>

6	Indicator LED	<ul style="list-style-type: none"> <li>●Green, blinking: charging</li> <li>●Green, glowing: fully charged, screen off</li> </ul>
7	Touch Screen	<ul style="list-style-type: none"> <li>●Display</li> <li>●Touch screen operation</li> </ul>
8	Battery	Lithium battery, for power supply
9	Microphone	Input voice information
10	Speaker	Play voice
11	Logo	Display product logo
12 & 13	Tripod Connection Interface	For mounting on a tripod
14 & 15	Neck Strap Bracket	For fixing the neck strap
15 & 17	Wrist Strap Bracket	For fixing the wrist strap
16	Freeze and Capture Button	Freeze and capture images/videos
18	Acoustic Module	Microphone array
19	Digital Camera	Digital visible-light camera
20	LED Flash Light	<ul style="list-style-type: none"> <li>●Flash light : serve as a flash light when taking photos</li> <li>●For illumination in dark environment</li> </ul>

21	SD Storage Card Interface	For inserting the SD card
22	Power Supply Interface	For connecting to DC power adaptor
23	USB Type-C Interface	For connecting to a USB Type-C cable
24	Micro HDMI Interface	High resolution streaming interface, compatible to projecting to a HDMI screen
25*	Nano SIM Port (optional)	For inserting Nano SIM card

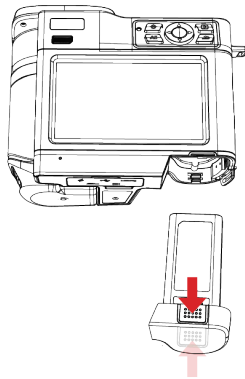
## Inserting and Removing the Battery

### 2.1 Inserting the battery

Push the battery into the battery socket. When the battery is fully inserted, it will make a distinct 'click'.

### 2.2 Removing the battery

Turn off the device, squeeze the snatch of the battery and take it out.



## Powering

When using the acoustic imager for the first time or when the power is low, please charge the acoustic imager.

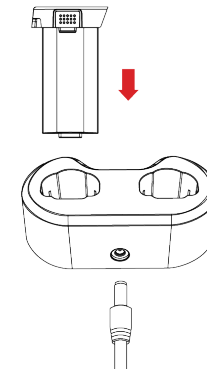
### 3.1 Charging through the charging dock

For quick charging take out the battery and mount it on the charging dock.

The voltage of the charging dock is 12VDC, please use the USB-C cable and the adaptor that came with the device.

### Operation Procedures

1. Mount the battery(s) to the charging dock.
2. Connect the charging dock to the power source. If the dock is functioning normally, the middle LED indicators will glow green.
3. The LED indicators on the side indicate the charging status of the battery:
  - Red: charging
  - Green: charged
4. When fully charged, take out the battery and disconnect the dock from the power source.

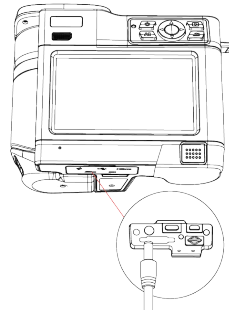


### 3.2 Charging directly with DC 12V

For expedient charging, directly charge the acoustic imager through a DC 12V power adapter.

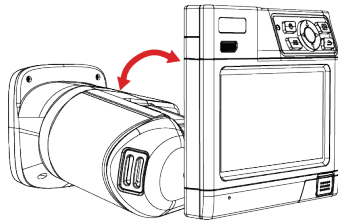
### Operation Procedures

1. Insert the battery.
2. Lift the cover for USB-C interface.
3. Connect to a power source and start charging.



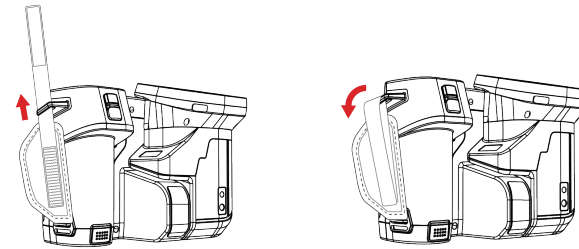
### Adjusting the Module Angle

Rotate the lens barrel to adjust the observing angle of the acoustic imager.



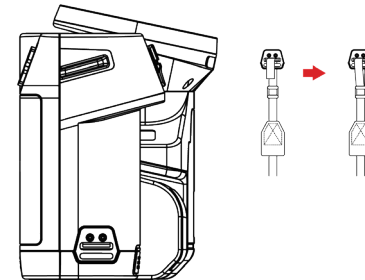
### Installing the Wrist Strap

Inserting the strap through the Wrist Strap Bracket and tighten the strap (Refer to the item 21 of Parts and interfaces table). Adjust the strap length based on your need.



### Installing the Neck Strap

Install the neck strap on the neck strap bracket (items 18 and 19 in the parts and interfaces table) of the device to prevent accidents. Pass one end of the neck strap through one of the neck strap holders and then secure the neck strap to the buckle, adjusting the neck strap length to your needs. Repeat the same steps to install the other end.



### Mounting on a Tripod

If the user need to make prolonged observation or measurements, we advise mounting the camera on a tripod.

The device support connecting to a tripod via a UNC 1/4-20 interface. (17th item in the Parts and interfaces table) .

## Connecting to the PC Software

Scan the following QR codes to download the PC software.



## User Manual Link

For More Detailed Operation, Please Refer to the User Manual.



## Maintenance

Please ensure that the battery is fully charged when storing for a long time.

## About This Manual

The photographs, graphics, icons, and illustrations provided in this manual are for illustrative purposes only and may differ from the actual product. This manual may be updated by FOTRIC without prior notice due to product version upgrade or other needs.

The trademarks and images used in this manual are for illustrative purposes only and are the copyright of the trademark owner.

### Disclaimers

The products (hardware, software, etc.) provided in this manual may be defective, faulty or malfunctioning, and FOTRIC disclaims all warranties of any kind, express or implied, including, but not limited to, warranties of merchantability, satisfactory quality, fitness for a particular purpose, non-infringement of third party rights, etc. FOTRIC will not be liable for any special, incidental, consequential or indirect damages arising out of the use of this manual or our products. including, but not limited to, damages arising from loss of business profits, loss of data or documentation.

To the maximum extent permitted by law, our liability will not exceed the amount you paid for the product.

After the product is connected to the Internet, it may be exposed to risks including but not limited to network attacks, hacker attacks, virus infections, etc. The Company will not be responsible for any abnormal operation of the product, information leakage, etc. as a result, but will provide you with technical support in a timely manner.

When using this product, you are requested to strictly follow the applicable laws. You agree that this product is for civilian use only and shall not be used in violation of third party rights, medical/safety equipment or other applications where the failure of the product could result in life-threatening or personal injury, and for purposes such as mass destruction fog, biochemical weapons, nuclear explosions or any unsafe use of nuclear energy or dangerous or inhumane uses. Any loss or liability arising from such use will be borne by you.

In the event of a conflict between the above and applicable law, the provisions of the law shall prevail.



## Warranty Card

### **Thank you for choosing FOTRIC acoustic camera!**

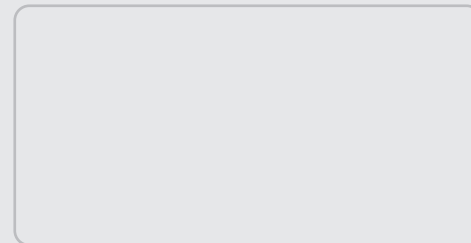
We are committed to providing you with products of excellent performance and reliable quality. According to our warranty policy, this product enjoys comprehensive warranty service from the date of purchase.

During normal use, if any defects caused by materials or craftsmanship are found in the device, we will provide you with repair or replacement services to ensure your workflow.

### **Customer Service**

Global: [service@fotric.com](mailto:service@fotric.com)

United States: [service-us@fotric.com](mailto:service-us@fotric.com)

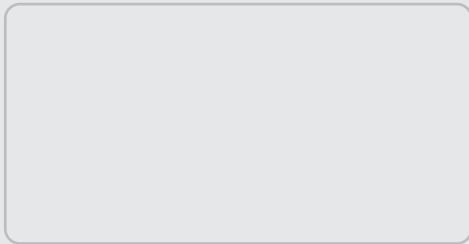


# Certificate of Quality

## **Thank you for choosing FOTRIC acoustic camera!**

This product has passed strict quality inspection and complies with relevant technical standards and specifications to ensure reliable performance and excellent user experience.

We promise that the device you receive is a qualified product and can be used with confidence. If you need further support, please contact FOTRIC customer service team.



# Innovation Excellence Integrity

## Company Disclaimer

Equipment described herein may require EU, US and UNSC authorization for export purposes.

Imagery for illustration purposes only.

Specifications are subject to change without notice.

FOTRIC INC. © 2025 All Rights reserved.

**FOTRIC INC.**