

### Trustworthy Certification

PROSENSE "PE" Series fixed gas detectors are certified with ATEX/IECEx.

### Ex-proof Safety

The continuous measurement of explosive gases is done safely in hazardous areas thanks to the ex-proof housing.

### Cost-Effective Solutions

"PE" series offers cost-effective solutions in Oil&Gas industries.

### Robust and Durable

"PE" performs perfectly under harsh environmental conditions with the IP65 protection class.

### Accurate Readings

Long-lasting Catalytic sensors undoubtedly provide an accurate and sensitive measurement.

### Universal 4-20mA Analog Signal Output

4-20mA Analog output is simple to operate efficiently and it is universally usable in any control panel.

### Quick Response Time

Catalytic sensor in PE offers quick response time with affordable prices.

### Durable Sensor

PE Series uses a special Catalytic sensor which has a long life-time

### Fall-Safe Technology Alarming

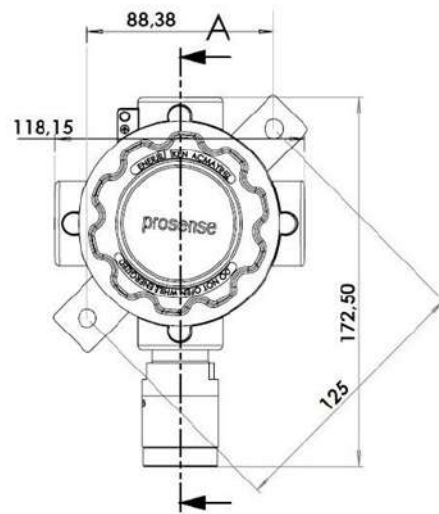
Optional relay module is suitable to use as Alarm1 and Fault. Additionally, it can be arranged as Alarm1 and Alarm2.

### Applications

- LNG/LPG
- Oil&Gas
- Gas Distribution Stations

### Optional Modules

- PE-2R: 2 Relays output card (Alarm1-Fault or Alarm1-Alarm2) (NO/NC adjustable)



Specifications	P-XY12PE
Sensing Element	Catalytic
Output Signal	4-20mA Analog
Sensor Warm-up Time	60sec
Response Time (T90)	<15sec
Accuracy	%±2
Operating Temperature	-40°C ~ +70°C
Humidity	5 ~ 95%RH Non-Condensing
Input	Min 10VDC - Max 28VDC - Nominal 24VDC
Power Consumption	Max. 4W
Optional Relay Outputs	2 Relay Contacts (Alarm1-Fault or Alarm1-Alarm2) (All relays are NO/NC adjustable)
Cable Entry	1/2"NPT
IP Rating	IP65
Junction Box	Epoxy Painted Die-Cast Aluminum
Sensor Head	Nickel-Plated Brass
Dimensions/Weight	172,5x118,15x88mm / 1150gr
ATEX Marking	II 2G Ex db IIC T4-T5 Gb
Hazardous Class	Zone 1 or Zone 2
Certificates	•IMQ 19 ATEX 045 X • IECEx IMQ 18.0009X
Standards	• IEC EN 60079-0 • IEC EN 60079-1 • IEC EN 60079-18

XY	Gas	Product Code	Sensor Type	Measuring Range
30	LPG	P-3012PE	Catalytic	0-100%LEL
31	Methane	P-3112PE	Catalytic	0-100%LEL
32	Petrol Vapour	P-3212PE	Catalytic	0-100%LEL
33	n-Butane	P-3312PE	Catalytic	0-100%LEL
34	Propane	P-3412PE	Catalytic	0-100%LEL
36	Hydrogen	P-3612PE	Catalytic	0-100%LEL

Prosense gas detectors are fully tested and calibrated before delivery. Gas detectors must always be routinely controlled and calibrated regarding EN 60079-29-2.